



700VDC, General Purpose Fuse for EV/HEV HV170-XXYY Series



Description 描述

General purpose fuse for EV/HEV 用于纯电动汽车和混合动力汽车的全范围分断熔断器
 Stud-mount, optional for other installtion 螺栓安装,提供其他安装方式选择
 700Vdc ideal for EV or HEV application 专为纯电动汽车和混合动力汽车设计的 700V 直流熔断器
 Excellent DC performance 卓越的直流分断能力
 Special designed fuse base for vehicle situation 提供专为汽车恶劣环境特殊定制的熔断器底座

% of Ampere Rating (A)	Operating Time (Unit: s)	
	Min	Max
110%	14400	-
200%	1	300
300%	0.2	30
500%	0.1	10

Ordering PN Description/订购料号说明



Assembly code /安装方式代码:

' ' Blank means cartridge fuse without additional terminal '无缀代表管状熔断器无附加安装端子'
 'AP' means center terminal bolt installation 'AP'代表中间端子螺栓安装
 'BP' means bottom terminal bolt installation 'BP'代表底部端子螺栓安装
 'CP' means PCB through hole installation 'CP'代表 PCB 引脚通孔安装

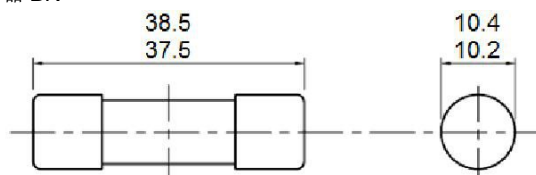
Specifications 电气特性 ('YY' means Assembly code /'YY'代表安装方式代码)

Ordering P/N 订购料号	Rated Current (A)额定电流	rated Voltage/ Interrupting rating 额定电压下分断
HV170-5YY	5	700Vdc/10000A
HV170-6YY	6	
HV170-8YY	8	
HV170-10YY	10	
HV170-15YY	15	
HV170-20YY	20	
HV170-25YY	25	
HV170-30YY	30	
HV170-32YY	32	

*Temperature Rise 温升: <=75K with rated current 额定电流下小于等于 75K
 <=45K with 60% of rated current 60%额定电流小于等于 45K

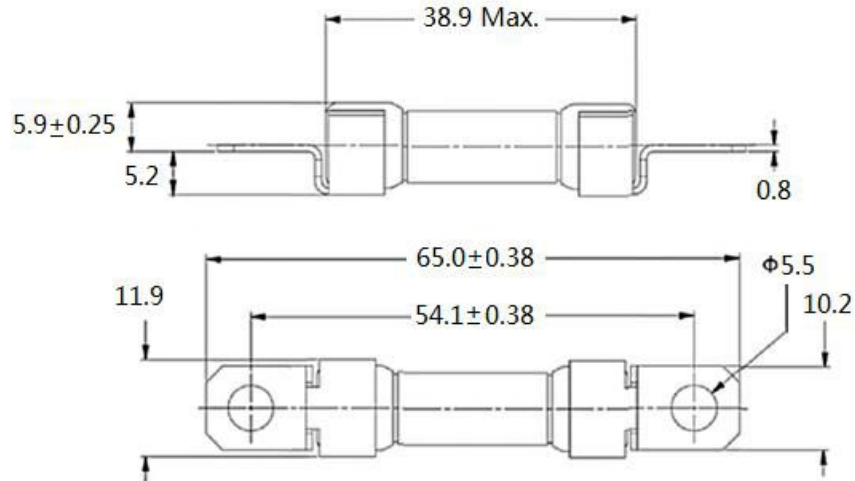
Dimension (mm)尺寸

Assembly Code 'BK' 无端子管状熔断器'BK'

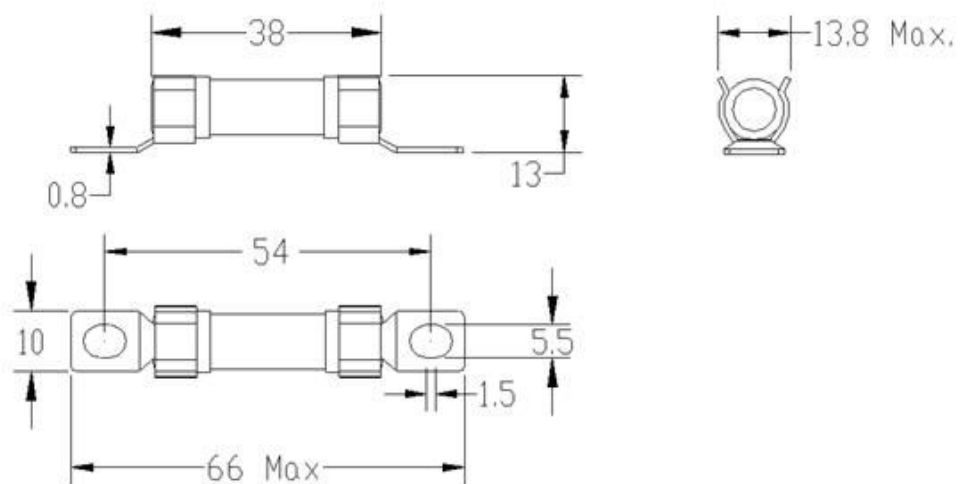


700VDC, General Purpose Fuse for EV/HEV HV170-XXYY Series

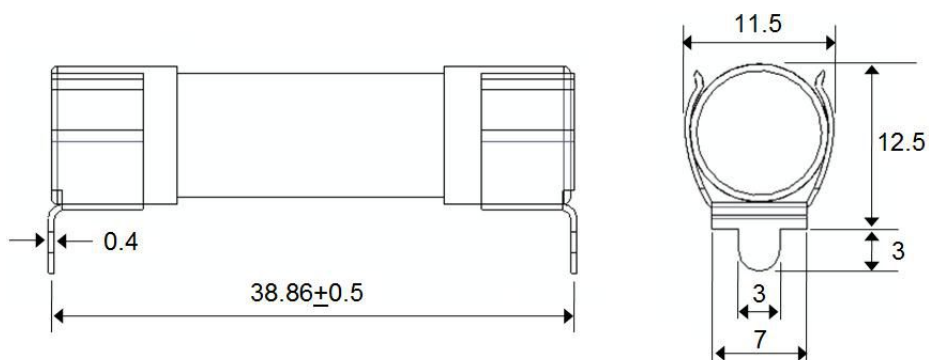
Assembly Code 'AP' 中间端子螺栓安装方式 'AP'



Assembly Code 'BP' 底部端子螺栓安装方式 'BP'



Assembly Code 'CP' PCB 引脚通孔焊接方式 'CP'





700VDC, General Purpose Fuse for EV/HEV HV170-XXYY Series



Time-Current Curve 时间电流曲线

